

Technical data sheet



Product features

Fry Top Griddle 65x48 electric durable chrome smooth table 400 V

Model	SAP Code	00020903
--------------	-----------------	----------



- Top type: Smooth
- Griddle dimensions [mm x mm]: 650 x 480
- Griddle thickness [mm]: 10.00
- Container for liquid fat: Yes
- Independent heating zones: Separate control for each heating zone
- Maximum device temperature [°C]: 300
- Surface finish: durable chrome
- Removable rim: No

SAP Code	00020903	Power electric [kW]	6.000
Net Width [mm]	658	Loading	400 V / 3N - 50 Hz
Net Depth [mm]	541	Griddle dimensions [mm x mm]	650 x 480
Net Height [mm]	285	Top type	Smooth
Net Weight [kg]	44.00		

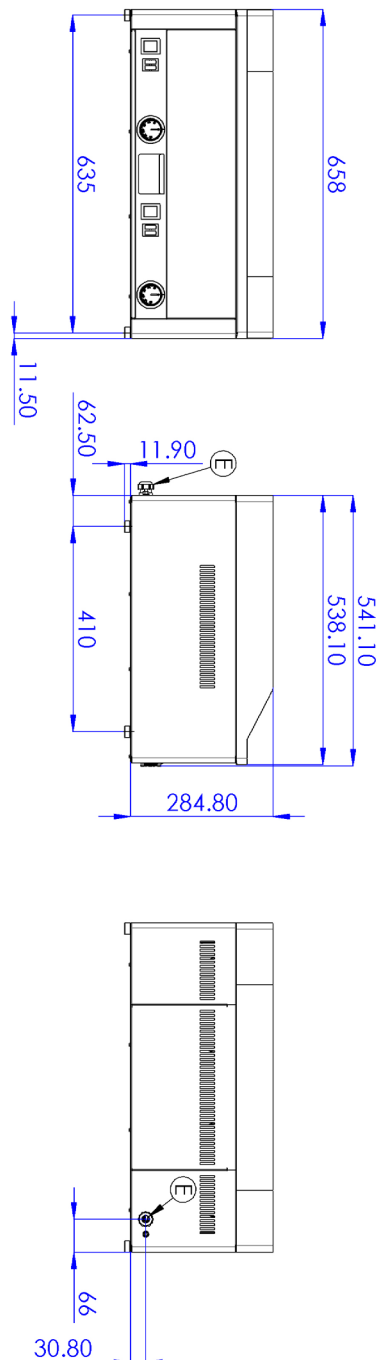
Technical data sheet



Technical drawing

Fry Top Griddle 65x48 electric durable chrome smooth table 400 V

Model	SAP Code	00020903
--------------	-----------------	----------



Technical data sheet



Product benefits

Fry Top Griddle 65x48 electric durable chrome smooth table 400 V

Model

SAP Code

00020903

1

Nationheres

long life
stainless steel resistance of AISI 304
the material does not rue

- Savings on service interventions
- easy cleaning of the device

2

Degree of protection of controls IPX4

maintenance -free
water resistance
long life

- Savings on service interventions
- easy cleaning of the device

3

Waste fluid socket

ensures oil dripping into a socket

- easy maintenance
- easy to clean

4

Tall non -removable hem

Better Hygienic Conditions
Preventing fat spraying on a secondary device

- easy maintenance
- easy to clean

5

Chrome steel plate

The product is less baked and cleaned better
good warming of meat with groove

- saving time when preparing meals
- There is no disabled and long preparation of dishes

6

A kernel for use on a table or on a bedding

variable use
Possibility to place in smaller spaces

- easy manipulation
- saving costs on the bedding

Technical data sheet



Technical parameters

Fry Top Griddle 65x48 electric durable chrome smooth table 400 V

Model

SAP Code

00020903

1. SAP Code:

00020903

2. Net Width [mm]:

658

3. Net Depth [mm]:

541

4. Net Height [mm]:

285

5. Net Weight [kg]:

44.00

6. Gross Width [mm]:

640

7. Gross depth [mm]:

725

8. Gross Height [mm]:

410

9. Gross Weight [kg]:

49.00

10. Device type:

Electric unit

11. Construction type of device:

Table top

12. Power electric [kW]:

6.000

13. Loading:

400 V / 3N - 50 Hz

14. Protection of controls:

IPX4

15. Material:

AISI 430

16. Indicators:

operation and warm-up

17. Surface finish:

durable chrome

18. Maximum device temperature [°C]:

300

19. Minimum device temperature [°C]:

50

20. Adjustable feet:

Yes

21. Griddle dimensions [mm x mm]:

650 x 480

22. Griddle thickness [mm]:

10.00

23. Container for liquid fat:

Yes

24. Independent heating zones:

Separate control for each heating zone

25. Removable rim:

No

26. Uniform heating:

Yes

Technical data sheet

Technical parameters



Fry Top Griddle 65x48 electric durable chrome smooth table 400 V

Model	SAP Code	00020903
--------------	-----------------	----------

27. Top type:

Smooth

28. Cross-section of conductors CU [mm²]:

1

– Výkon (kW): 3,7-5 (230 V); 6,4-8,7 (400 V)